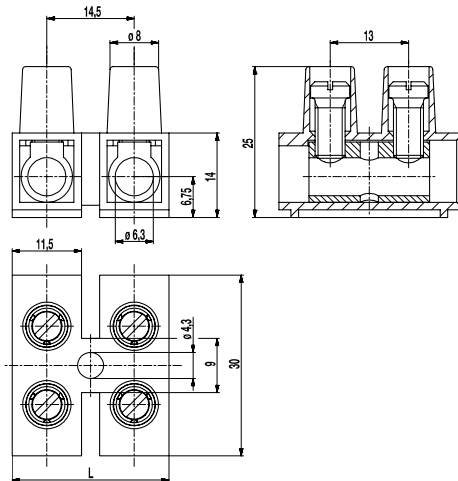
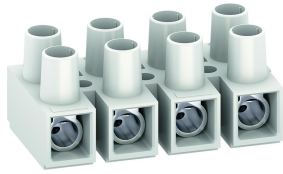


## 327(-HDS)

Socket terminal strip  
Screw connection



The socket terminal strip 327 is available in 14,5 mm pitch with 1- to 12-pole design and can be easily stripped to the desired number of poles. Due to the M5 screw, the socket hole diameter of 6,3 mm and a creepage distance of more than 9 mm between terminal body and mounting surface, this version is well suited for large cross-sections, high currents and voltages.

One fixing hole is located between every two poles.  
The flexible polyamide moulding can even be mounted on curved surfaces.

The wire protector of the "DS"-version reliably prevents damage to multi-wire flexible conductors by the turning screw.

### Part Numbers

| No. of poles | 327            | 327-HDS        | Length | PU   |
|--------------|----------------|----------------|--------|------|
| 1            | 11.825.001.EN6 | 31.825.001.EN6 | 14,50  | 1000 |
| 2            | 12.825.001.EN6 | 32.825.001.EN6 | 29,00  | 500  |
| 3            | 13.825.001.EN6 | 33.825.001.EN6 | 43,50  | 250  |
| 4            | 14.825.001.EN6 | 34.825.001.EN6 | 58,00  | 250  |
| 5            | 15.825.001.EN6 | 35.825.001.EN6 | 72,50  | 200  |
| 6            | 16.825.001.EN6 | 36.825.001.EN6 | 87,00  | 180  |
| 7            | 17.825.001.EN6 | 37.825.001.EN6 | 101,50 | 160  |
| 8            | 18.825.001.EN6 | 38.825.001.EN6 | 116,00 | 160  |
| 9            | 19.825.001.EN6 | 39.825.001.EN6 | 130,50 | 130  |
| 10           | 20.825.001.EN6 | 40.825.001.EN6 | 145,00 | 100  |
| 11           | 21.825.001.EN6 | 41.825.001.EN6 | 159,50 | 100  |
| 12           | 22.825.001.EN6 | 42.825.001.EN6 | 171,00 | 90   |

### General Information

|                      |   |
|----------------------|---|
| Pitch                | 14,5 mm   |
| No. of poles         | 1 - 12  |
| Areas of application | For lighting applications and similar electrical equipment. |




### Technical Data

|                               |  |       |        |
|-------------------------------|--|-------|--------|
| Clamping Range                | <i>solid / flexible / AWG</i>                                |       |        |
| <i>without wire protector</i> | 4 - 16 mm <sup>2</sup> / 4 - 16 mm <sup>2</sup> / 12 - 4 AWG |       |        |
| <i>with wire protector</i>    | 4 - 16 mm <sup>2</sup> / 4 - 10 mm <sup>2</sup> / 12 - 6 AWG |       |        |
| Rated Cross Section           | 16 mm <sup>2</sup> [1]                                       |       |        |
| Wire Stripping Length         | 9 mm ± 1 mm  |       |        |
| Overvoltage Category          | III  | III   | II     |
| Pollution Severity Level      | 3  | 2     | 2      |
| Rated Voltage                 | 500 V  | 630 V | 1000 V |
| Rated Impulse Voltage         | 6 kV   | 6 kV  | 6 kV   |
| Rated Insulation Voltage      | 750 V acc. to EN 60998-1                                     |       |        |
| Rated Current                 | 76 A   |       |        |
| Torque                        | 2 Nm   |       |        |

### Material

|                            |  |
|----------------------------|--|
| Moulding                   | PA, white, V-0                         |
| Comparative Tracking Index | CTI ≥ 600                              |
| Insulating Group           | I                                      |
| Temperature Range          | -40°C up to 100°C                      |
| Terminal Body              | Nickel plated brass                    |
| Screw                      | M5; zinc plated steel, blue passivated |
| Wire protector             | Stainless steel strip                  |

### Approvals

|   | Current [A] | Voltage [V] | Group              | AWG    | [Nm]    |
|---|-------------|-------------|--------------------|--------|---------|
|  | 80          | 300         | B,C                | 14 - 4 | 1,8 [2] |
|  | 80          | 300         | B                  | 14 - 6 | 1,8     |
|   | 80          | 150         | C                  | 14 - 6 | 1,8     |
|   | 10          | 300         | D,E                | 14 - 6 | 1,8     |
|   | Current [A] | Voltage [V] | [mm <sup>2</sup> ] |        |         |
|  | 76          | 750         | 16                 |        |         |

### Options / Accessories

- Marking options on and between the screw guides
- Marking strips BST-327
- Jumper 327-J
- Version with raised base: please see 327-FU

[1] multi-wire

[2] for 327-HDS 14 - 6 AWG, 65 A